

**D.C.S.M.**

Specializing in metal roofing products

## Ridge Anchor Specifications

### Standard Ridge Anchor

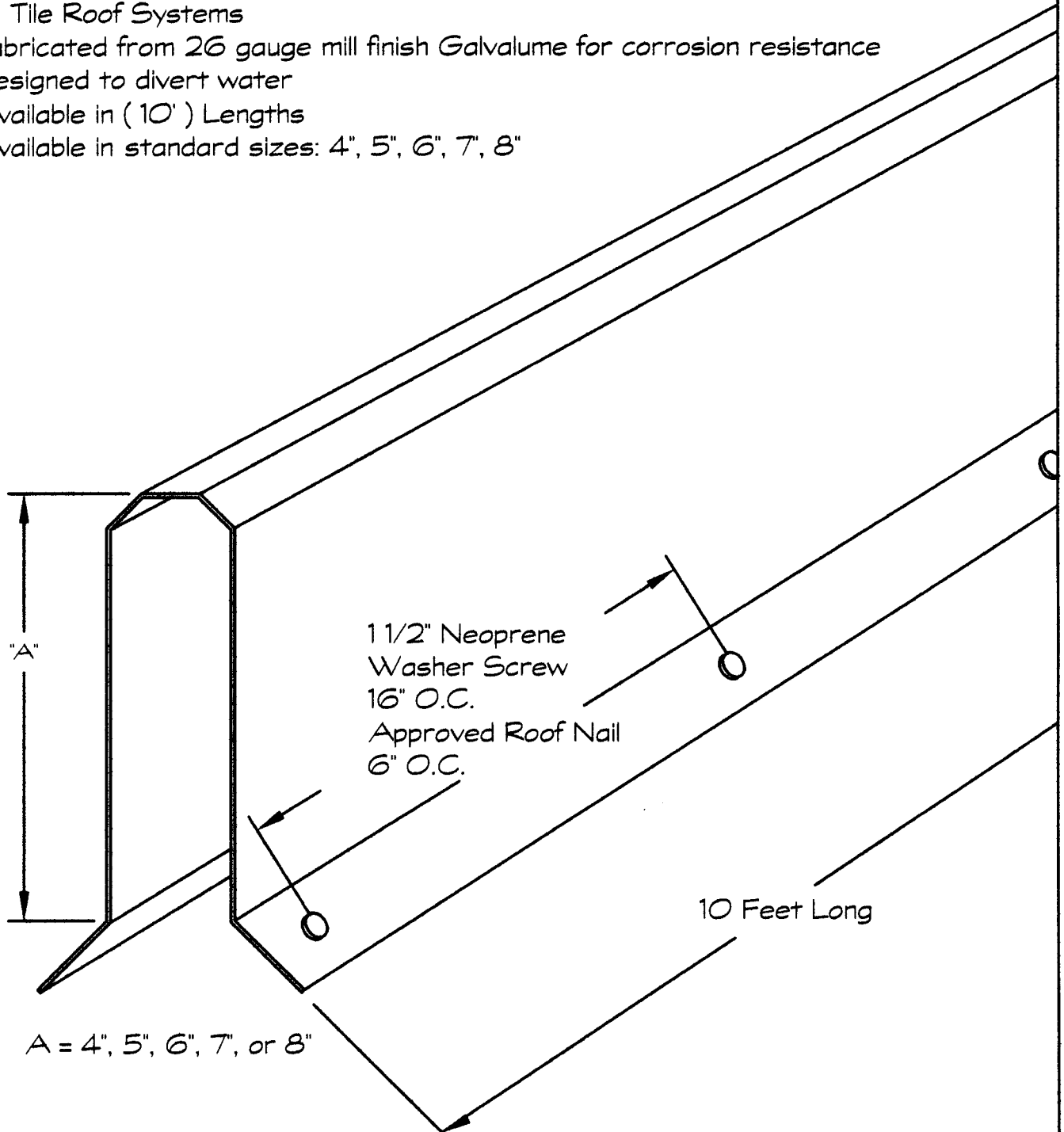
Component designed to mechanically fasten the Ridge/Hip Cap on Tile Roof Systems

Fabricated from 26 gauge mill finish Galvalume for corrosion resistance

Designed to divert water

Available in (10') Lengths

Available in standard sizes: 4", 5", 6", 7", 8"



1 1/2" Neoprene  
Washer Screw  
16" O.C.  
Approved Roof Nail  
6" O.C.

10 Feet Long

A = 4", 5", 6", 7", or 8"

FLORIDA HVHZ PRODUCT APPROVAL

Ridge Anchor  
Patent Pending